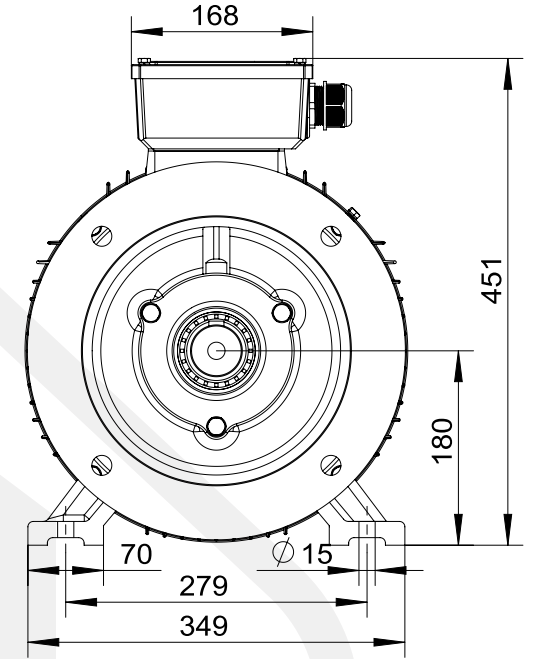
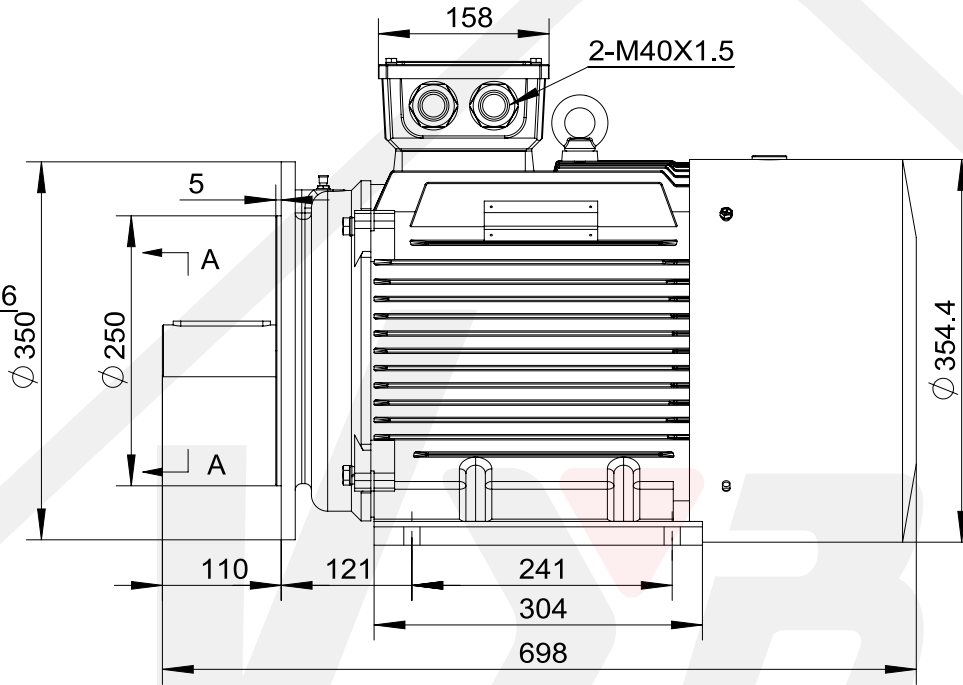
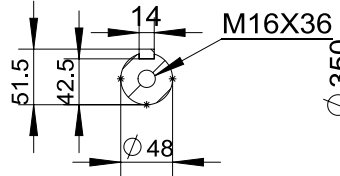




A-A
1:7



Electric  **s.r.o.**

**1LC-180M-B35
Mounting diagram**