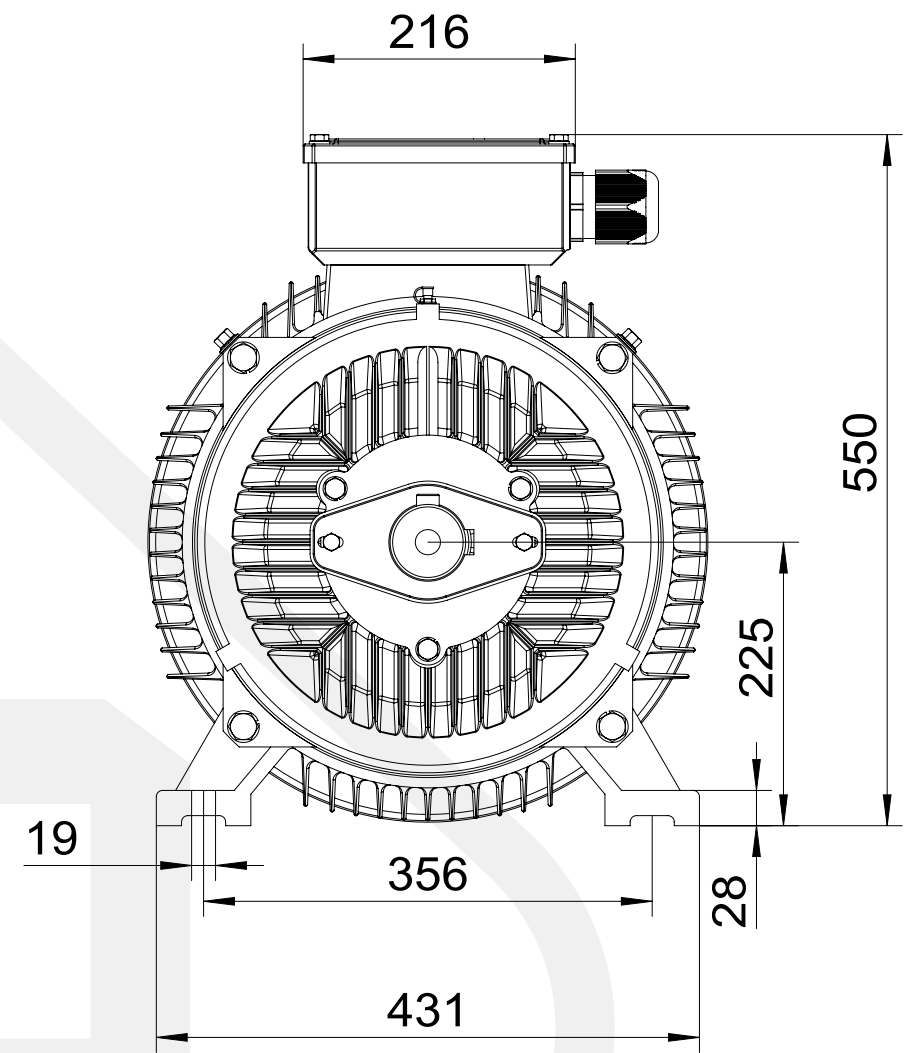
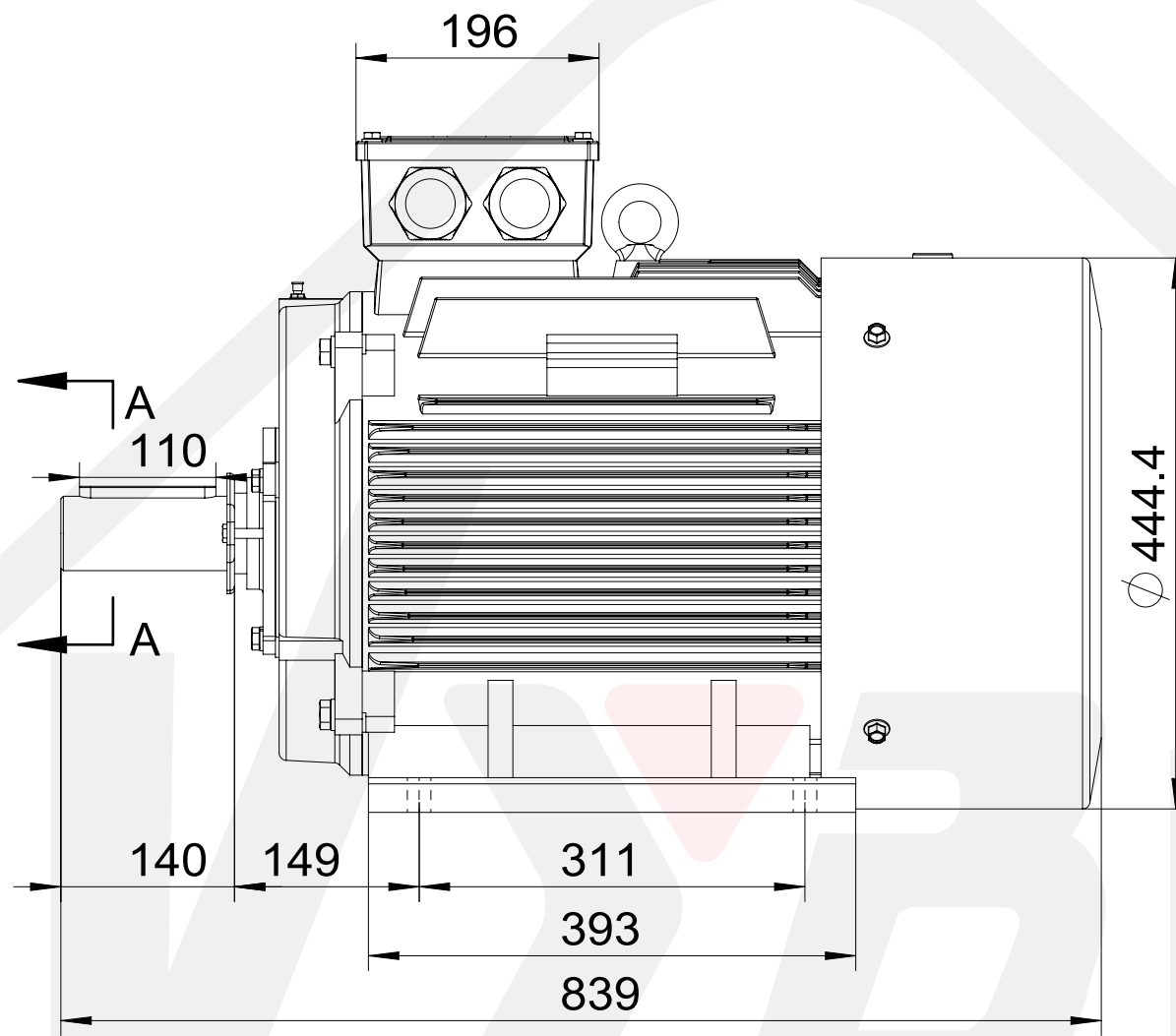
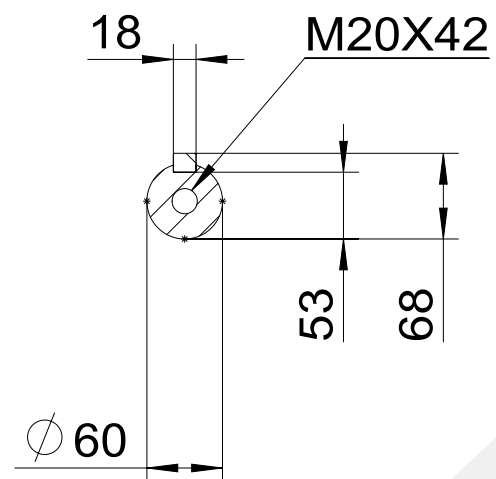




A-A  
1:6



**Electric**  s.r.o.

1LC-225M-B3-4 6 8  
Mounting diagram