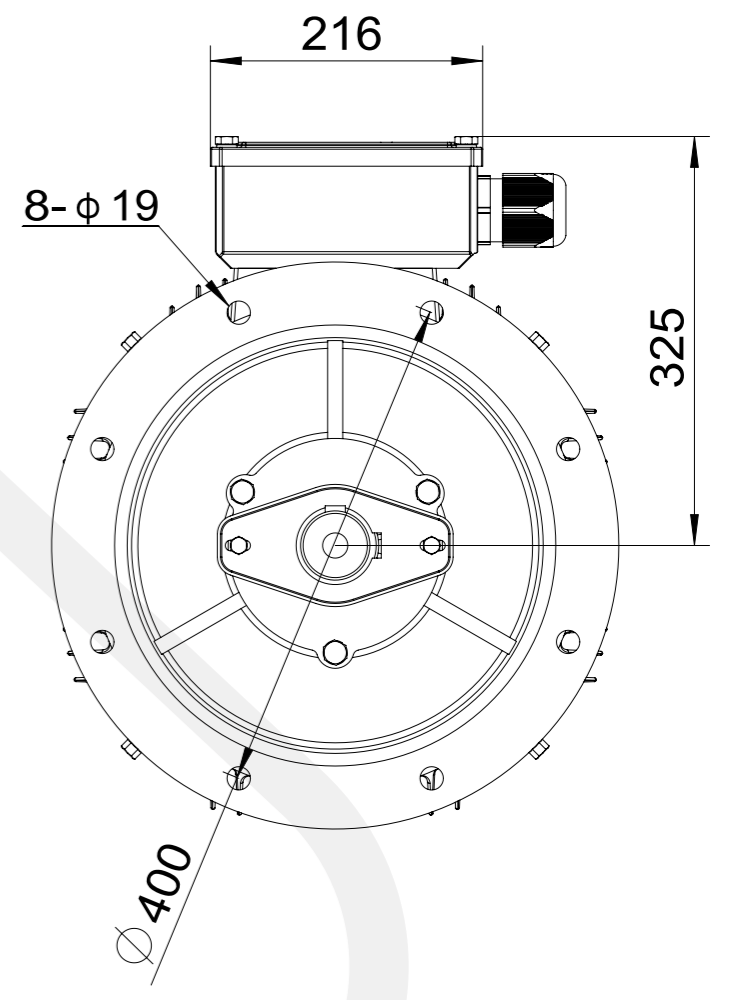
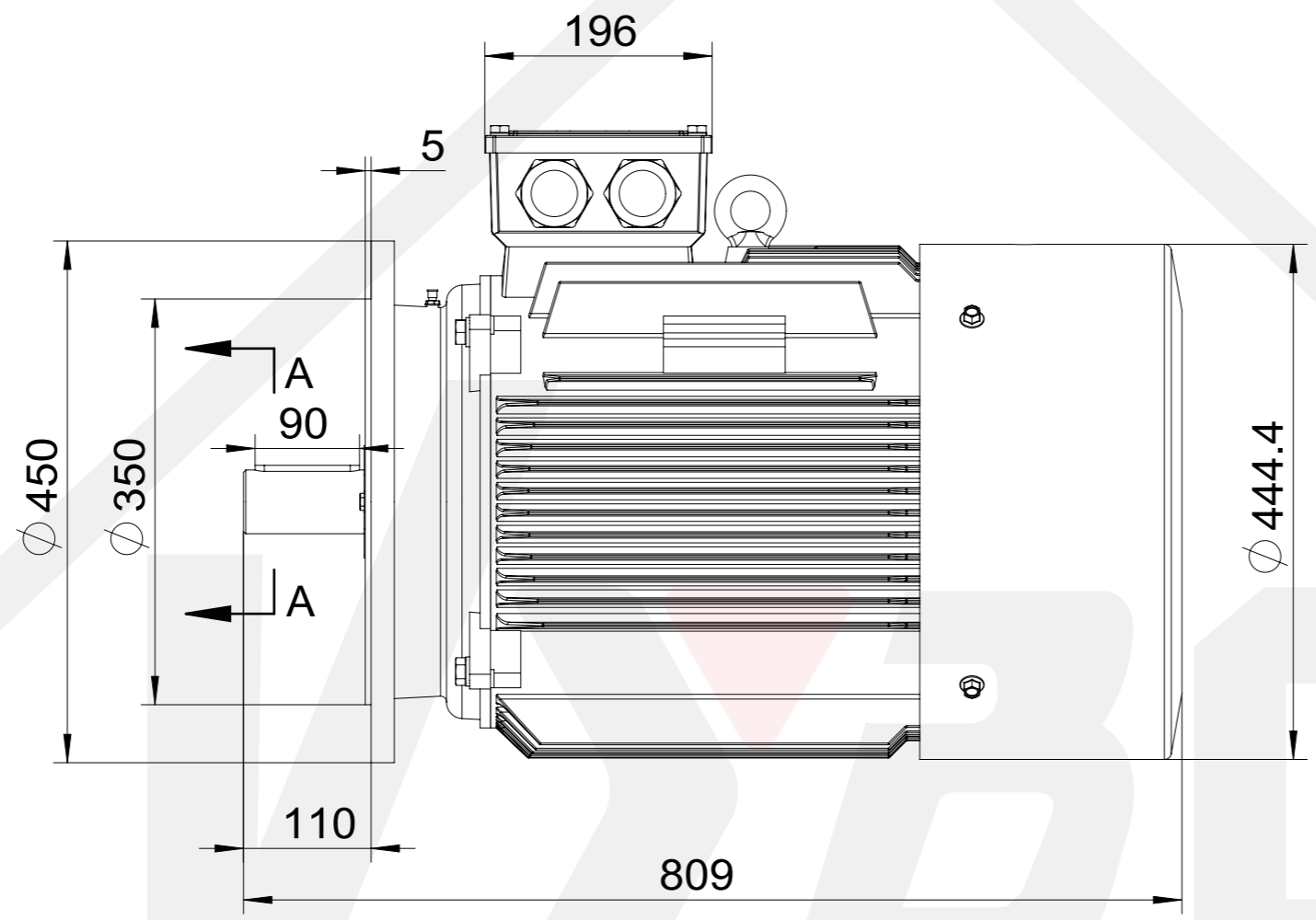
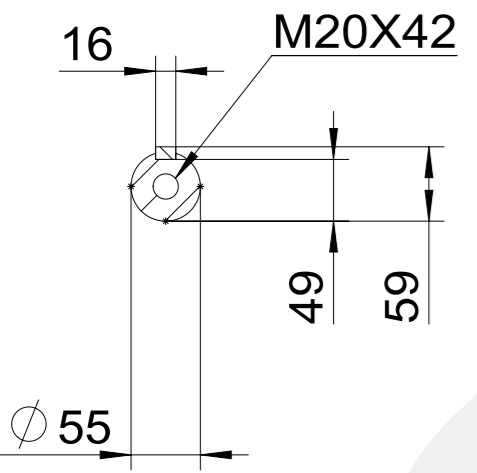




A-A  
1:6



**Electric**  **s.r.o.**

1LC-225M-B5-2  
Mounting diagram