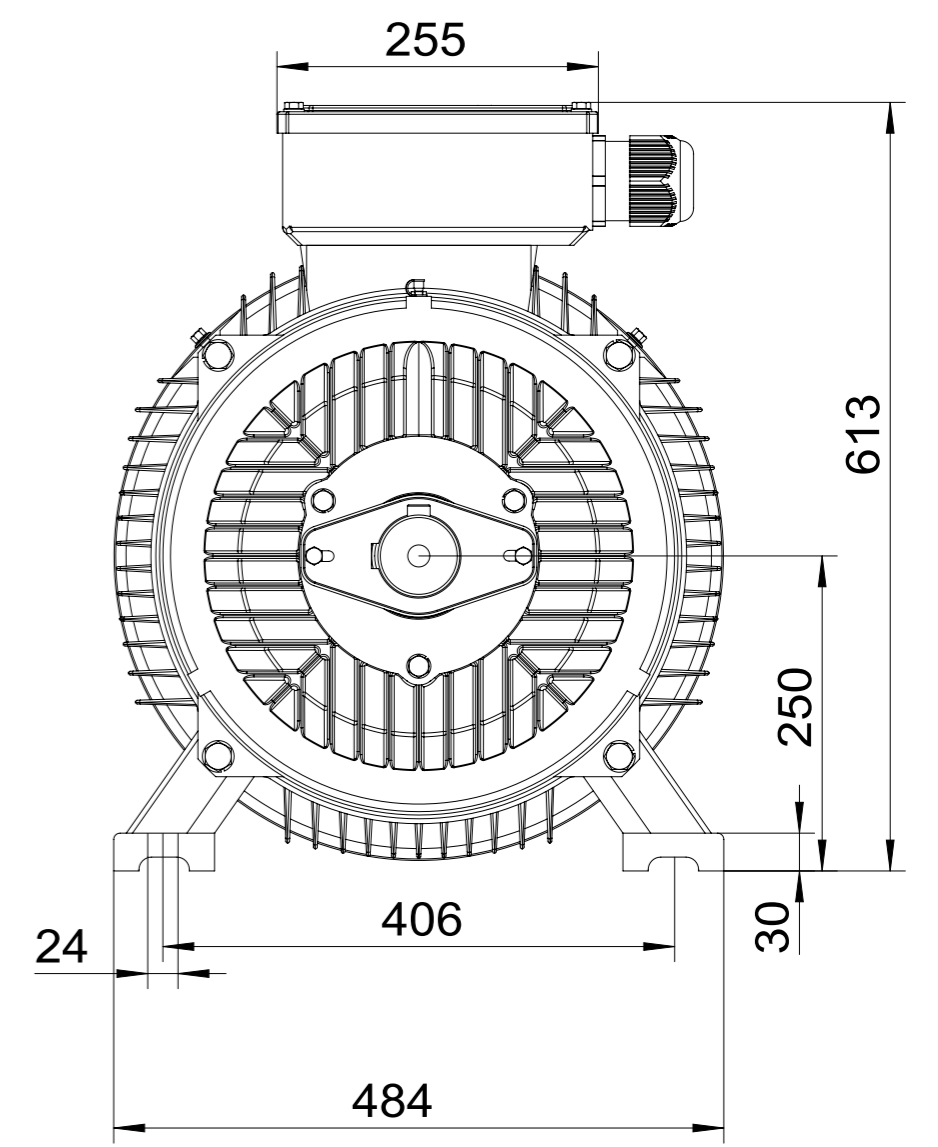
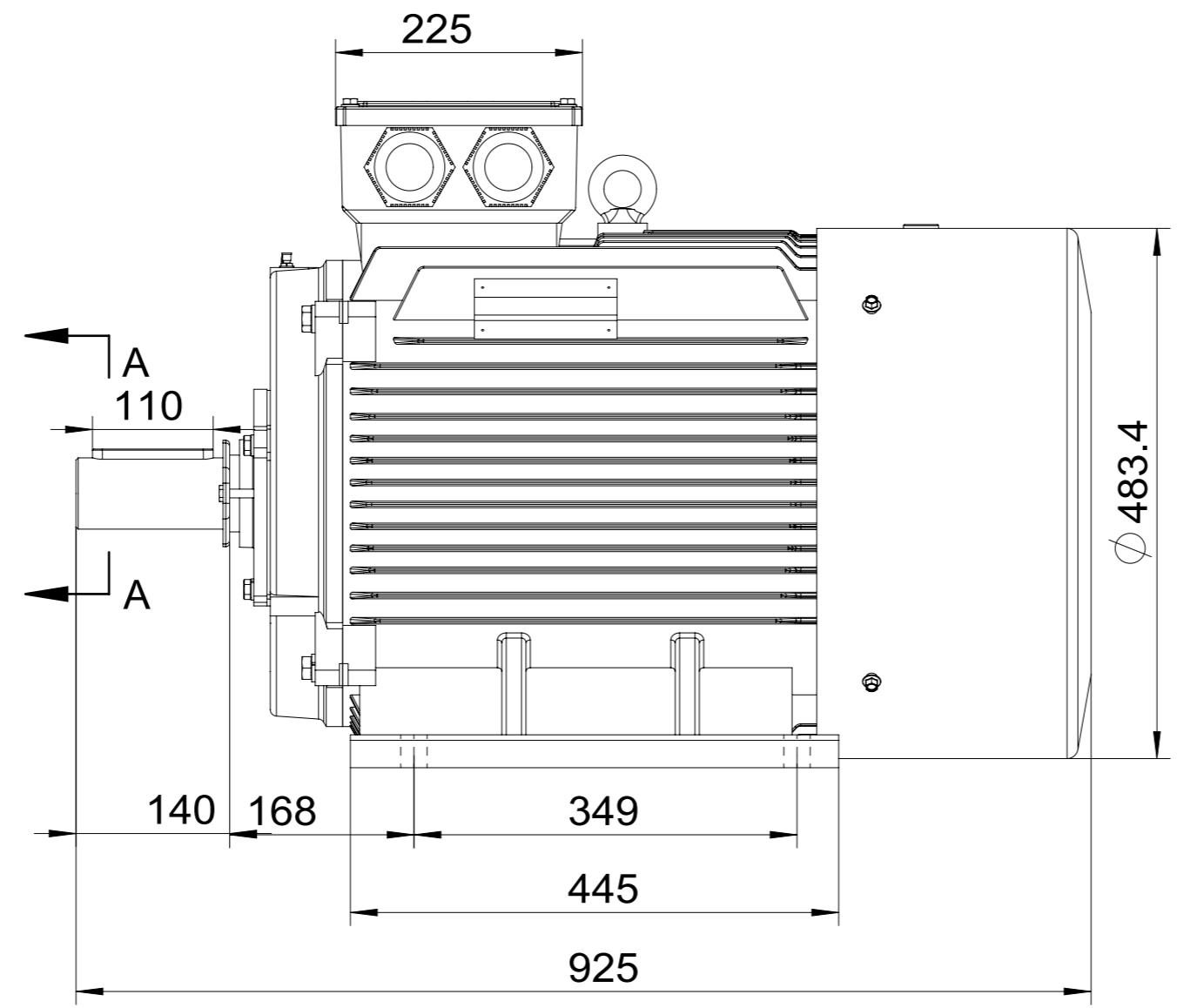
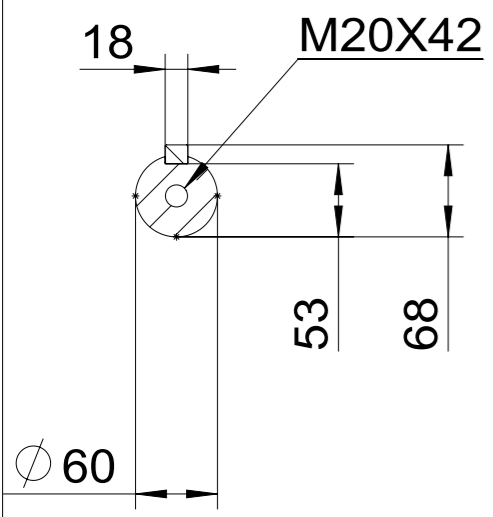




A-A
1:6



1LC-250-B3-2
Mounting diagram