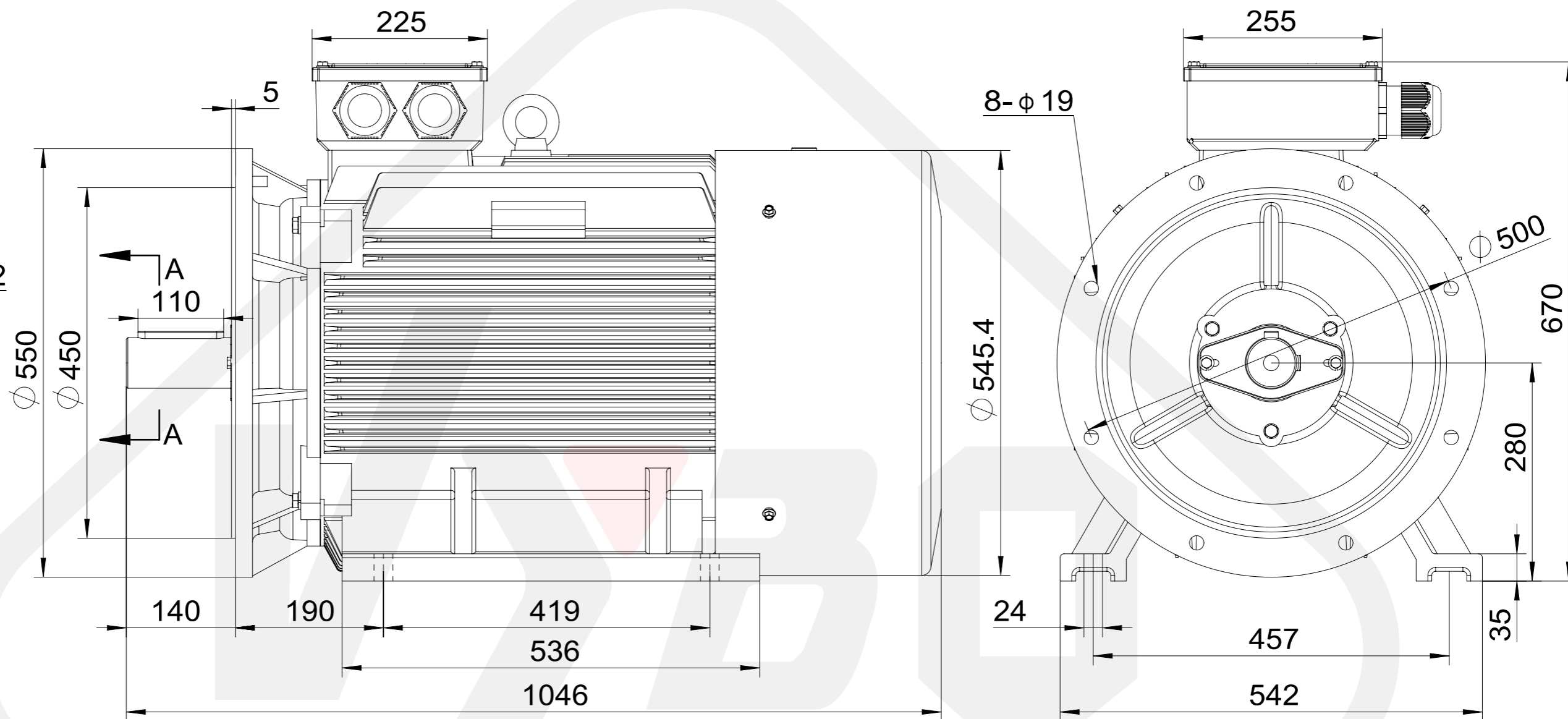
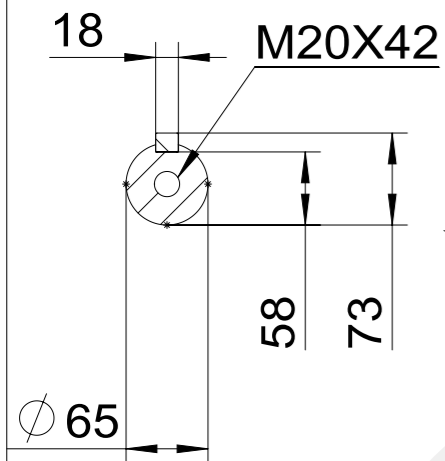




A-A
1:6



Electric  **s.r.o.**

1LC-280M-B35
Mounting diagram