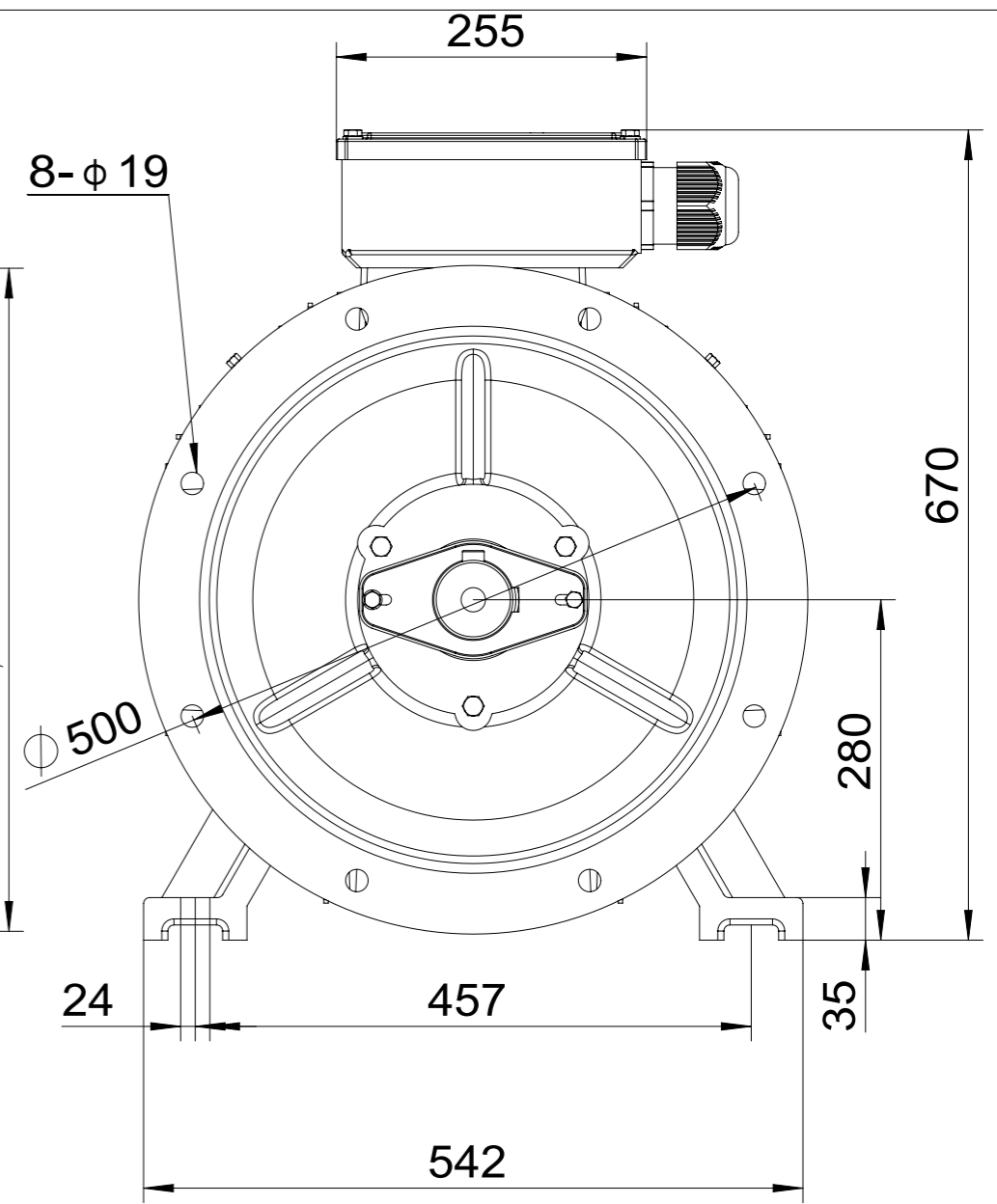
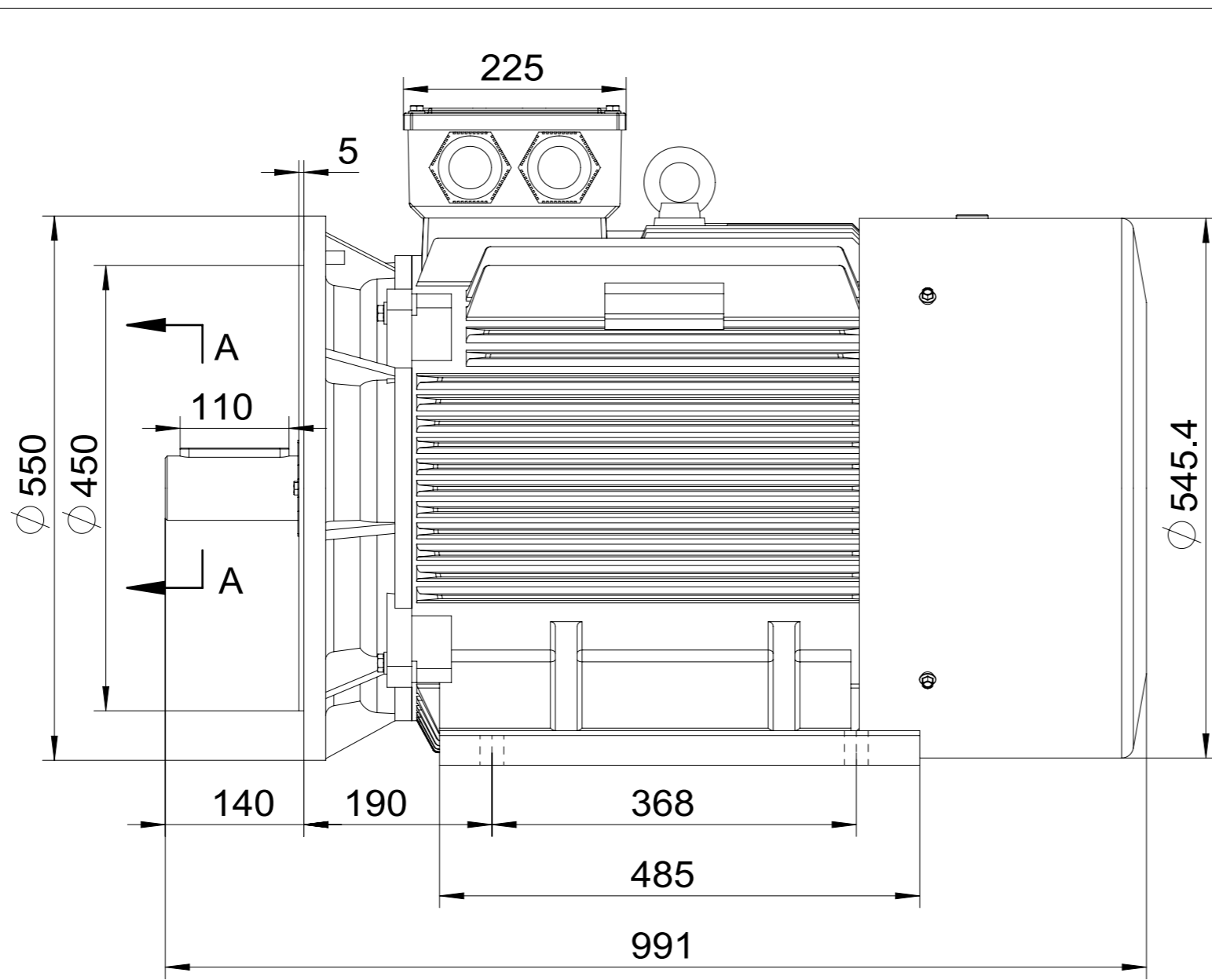
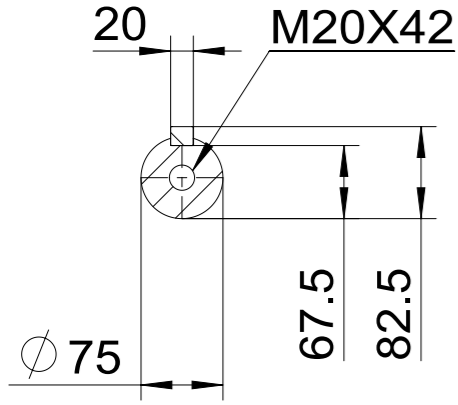




A
1:6



1LC-280S-B35
Mounting diagram