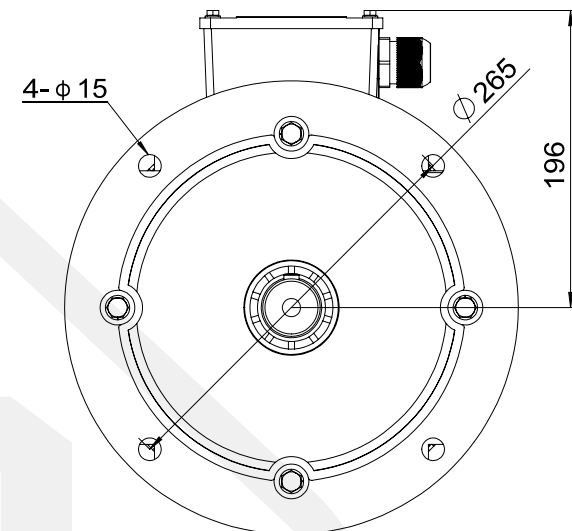
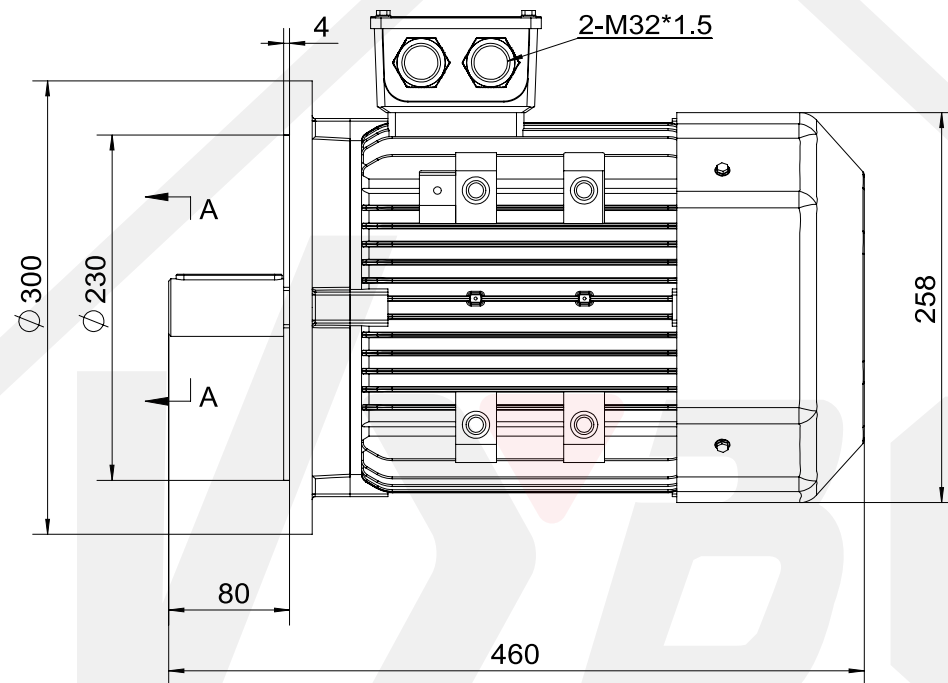
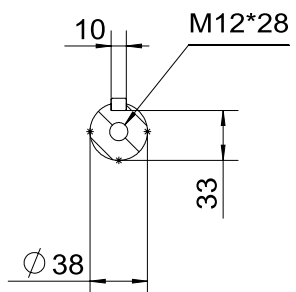




A-A
1:5



Electric  **s.r.o.**

2AL-132S-B5
Mounting diagram